



**Products Specification For Approval**

Manufacturer	GEER ELECTRONICSTECHNOLOGY CO.,LTD
Product Name	Ufos type mining lamp of power supply
Product Number	
Product Specification	GH-UFO-FJC100W
Customer	
CUST PT/NO.	
REV	V1.0

Supplier Singnature \_\_\_\_\_

Customer Singnature \_\_\_\_\_

Prepared By \_\_\_\_\_

Tested By \_\_\_\_\_

Checked By \_\_\_\_\_

Checked By \_\_\_\_\_

Approved By \_\_\_\_\_

A pproved By \_\_\_\_\_

Supplier \_\_\_\_\_

Customer \_\_\_\_\_

Date \_\_\_\_\_

Date \_\_\_\_\_

---



**■ Product features:**

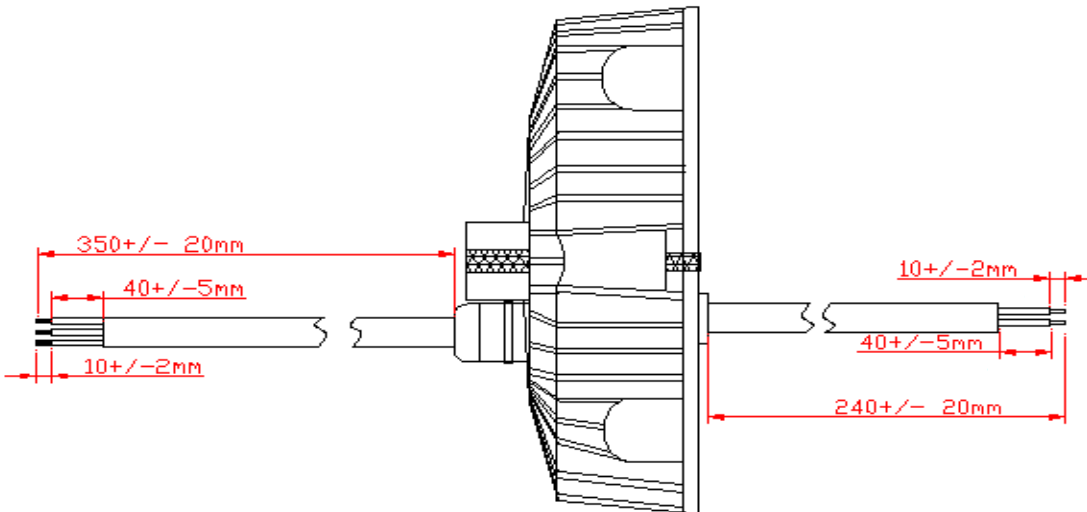
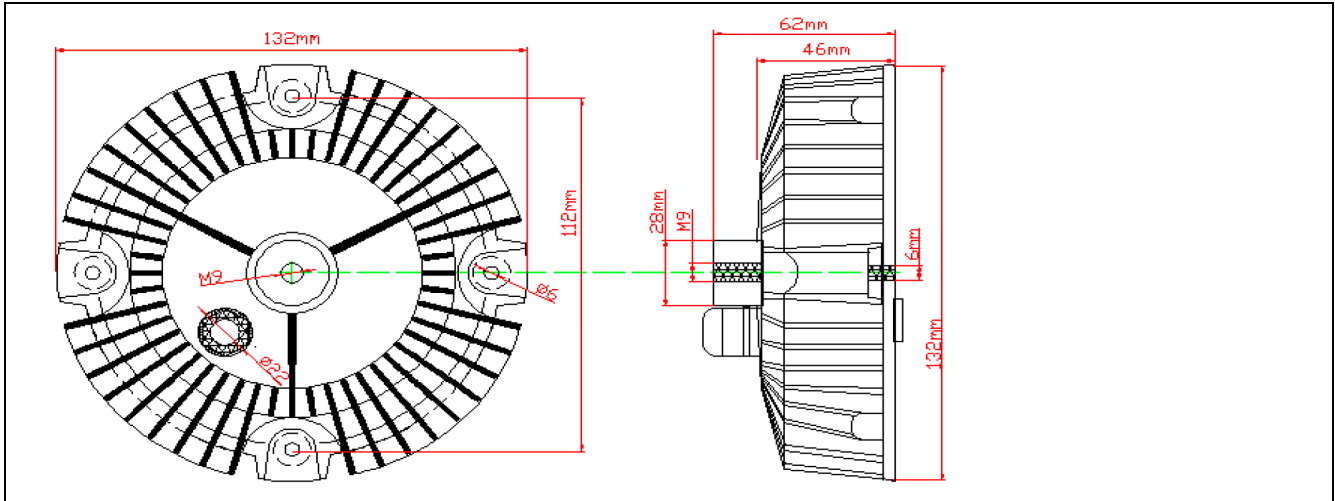
- .International universal voltage ac input (176-265VAC);
- Built-in active single pole PFC function circuit;
- Product protection type: short circuit; Open road;
- Heat dissipation: natural air cooling;
- Product protection grade: IP65, indoor and outdoor can be installed;
- Suitable for LED mining lamp; floodlight; project lamp; ceiling lamp drive installation;
- It can be used in a dry, wet, rain-soaked environment;
- .Input Surge Protection: 3kV line-line;
- 3 years warranty (ambient temperature is highest do not exceed 45 °C )

**■ Electrical specifications:**

<b>Product model</b>		GH-UFO-FJC100W-PB
<b>Output character istic</b>	Output voltage	120-135V (Wave) no-load
	Output current	910m A +/-5%
	Constant current range	90-110VDC
	Rated power	110W-90W (MAX Input power:110W)
	THD	≤ 15%
<b>Input character istic</b>	Input voltage range	176-265VAC
	Frequency range	50-60Hz
	Input current	≤ 0.65A
	Power factor	PF ≥ 0.95
	Efficiency	≥ 92%
<b>Operating environme nt</b>	Operating temperature	-30° C -- 45° C
	Operating humidity	20-95%RH, Non-condensing
	Storage temperature	-40--80° C
	Storage humidity	10-95%RH
<b>Function protection</b>	Short circuit protection: the output can be short-circuited for a long time when the product is normal; Remove short circuit, product recovery normal output;	
	Open circuit: the output can be open for a long time when the product is in normal power;	
<b>Withstand voltage</b>		I/P-FG 1.5KVAC O/P-FG 1.5KVAC
<b>Other</b>	<b>Boundary dimension</b>	φ 133x73mm; pitch of positioning: φ 113mm
	<b>Quality guarantee</b>	3 years warranty;
<b>Packaging</b>		Paper box add Pearl cushion; A single packaging



■ Boundary dimension :



Input Cable: protect wire of black rubber, OD:  $\Phi$ 7.2mm, 3 x 1mm<sup>2</sup>, protruded lengths :350mm  
Output Cable: protect wire of black rubber, OD:  $\Phi$ 7.2mm, 2 x 1mm<sup>2</sup>, protruded lengths :240mm

■ The product labeling:

	<b>UFO-100W-102V-PC</b>	Ta: 45°C Tc: 80°C
	.Input: 176-265VAC 0.65A MAX 50/60Hz	
	.Output: DC0.91A 90-110V	
	.Efficiency $\geq$ 92%	
	$\lambda > 0.95$ For operation with LED modules only	
○ ACN(BLUE)		V-(BLACK) ○
○ ACL(BROWN)		V+(RED) ○
○  (GREEN/YELLOW)		
	Suitable For Dry, Damp and Wet Locations	MADE IN CHINA